



SCALA2



<http://qr.grundfos.com/i/scala2install>



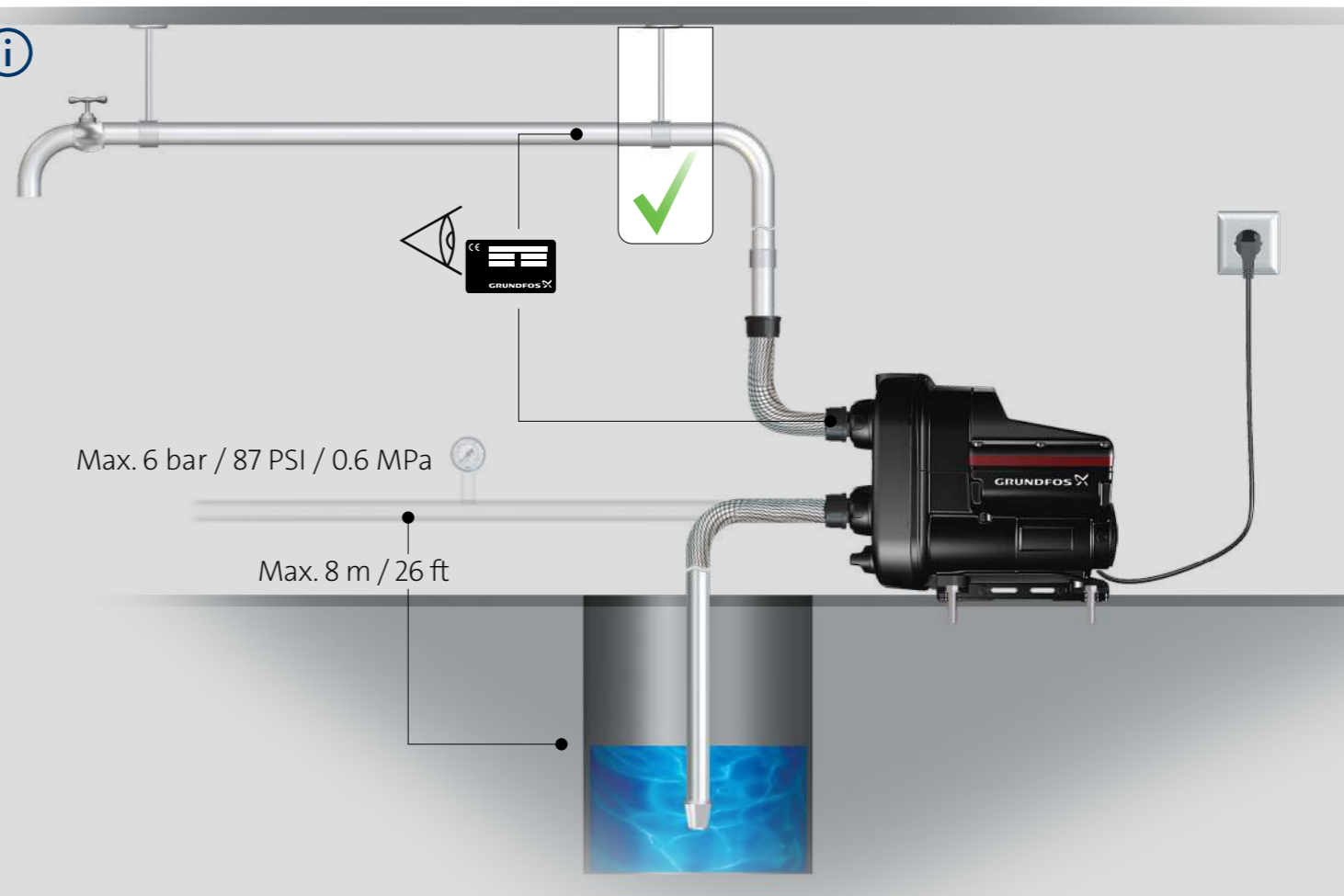
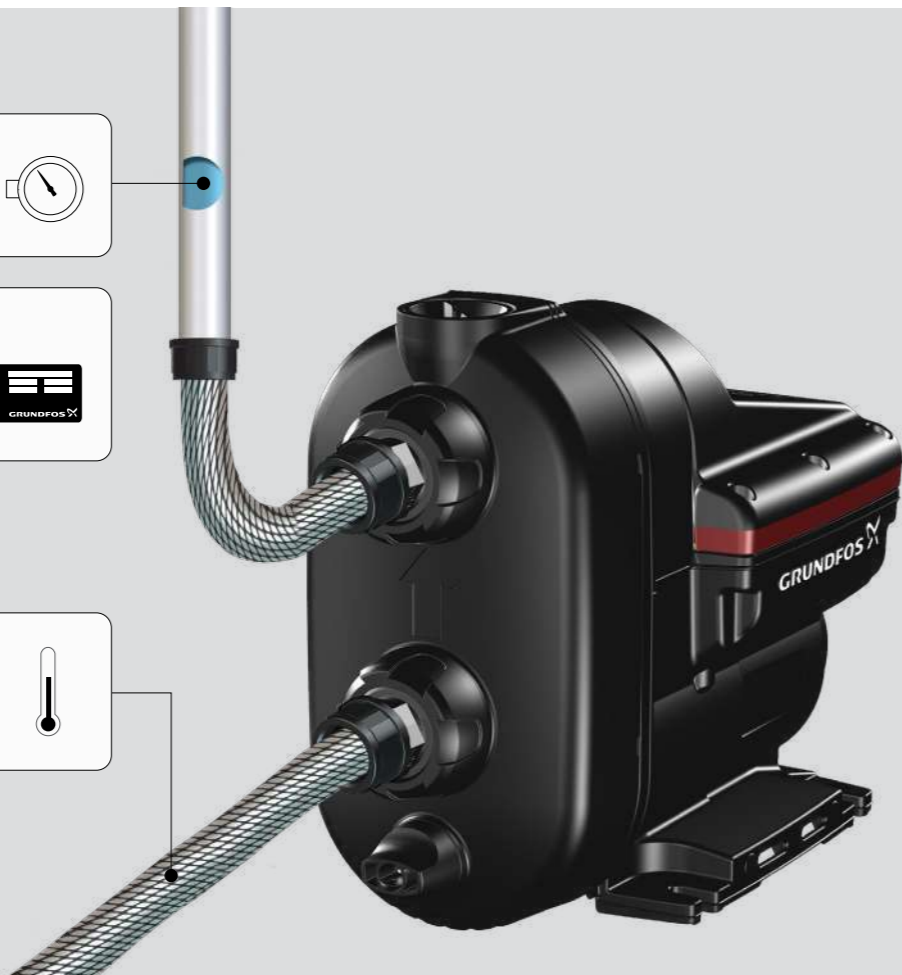
PN10:
Max. 10 bar/1.0 MPa

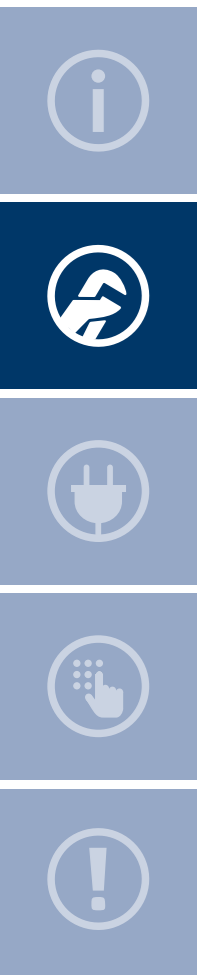


- Voltage
- Ambient temperatur



Min./Max.
0 °C – 45 °C /
32 °F – 113 °F





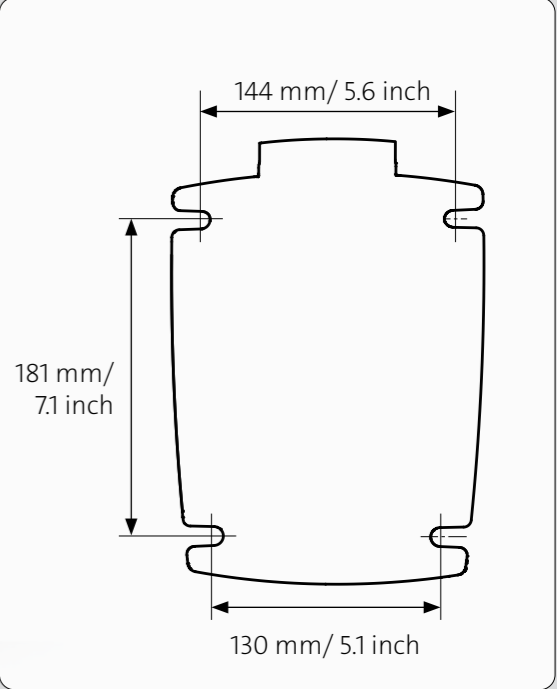
1

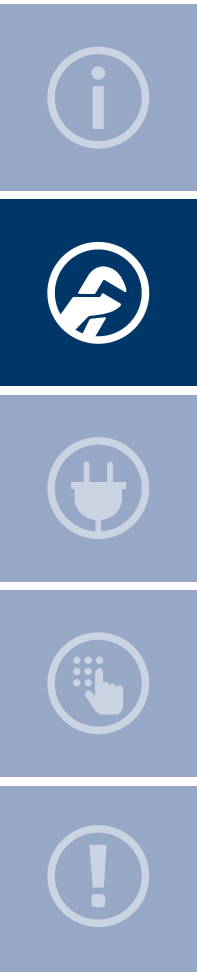


2

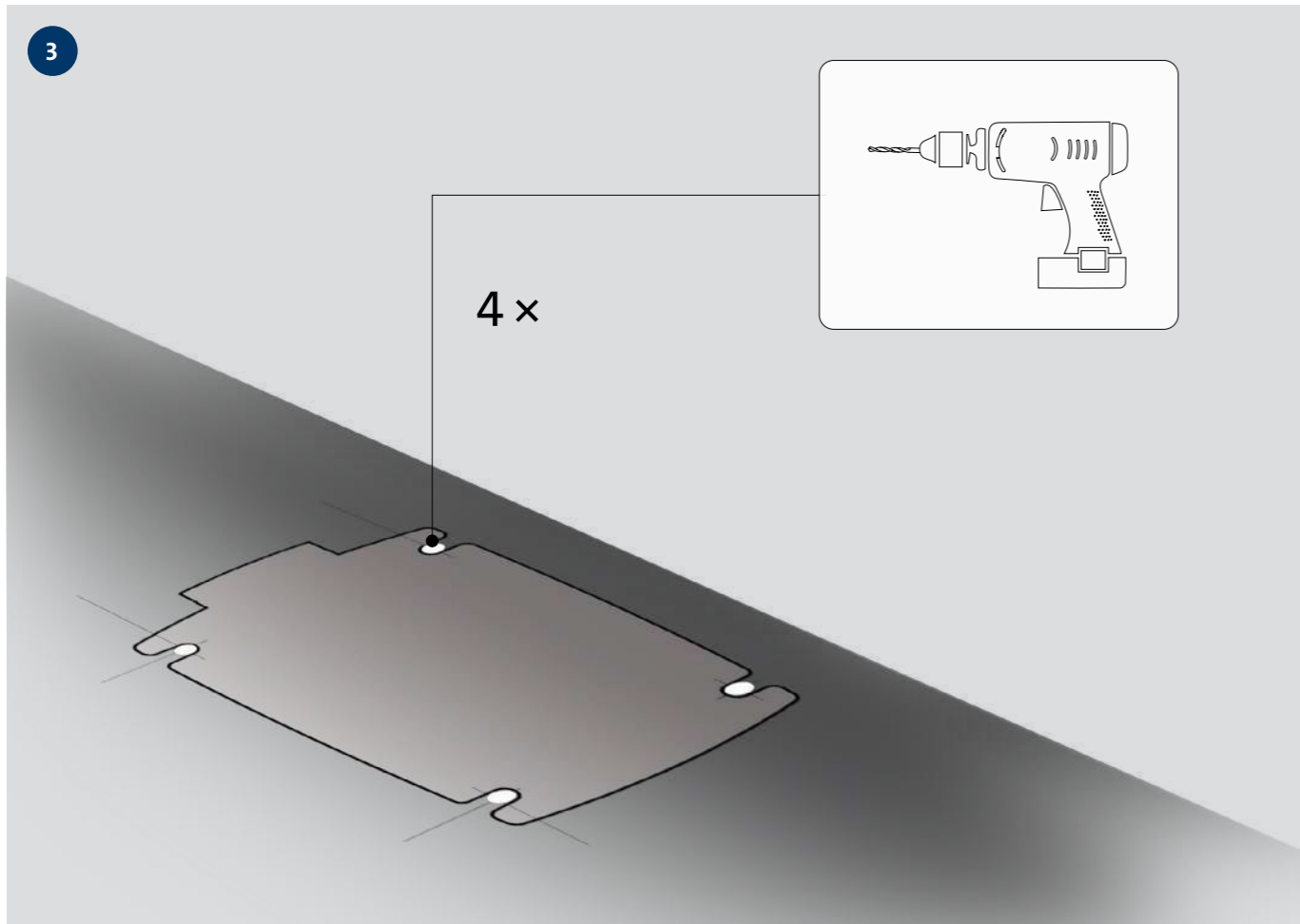


<http://qr.grundfos.com/i/scala2install>

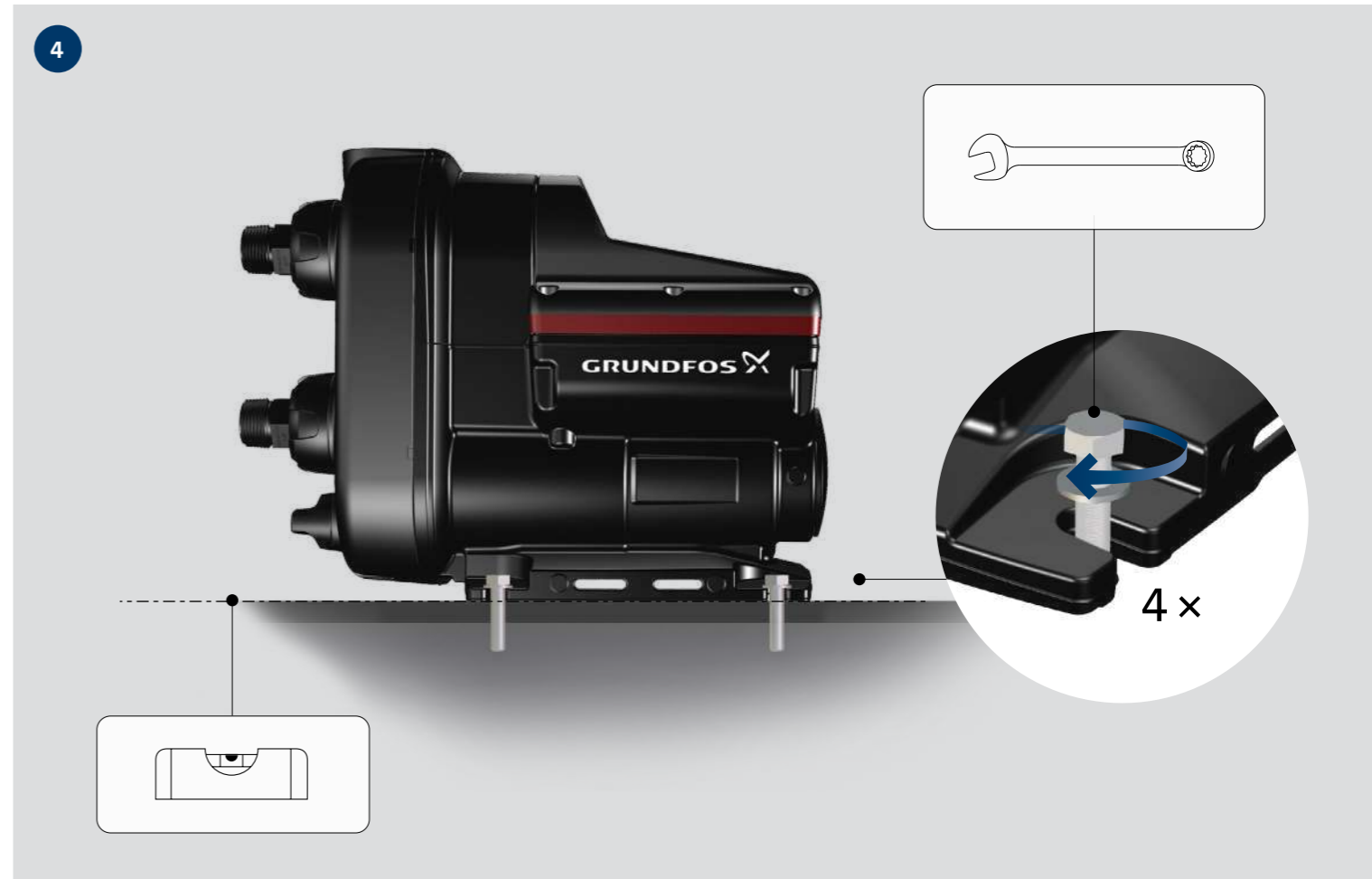


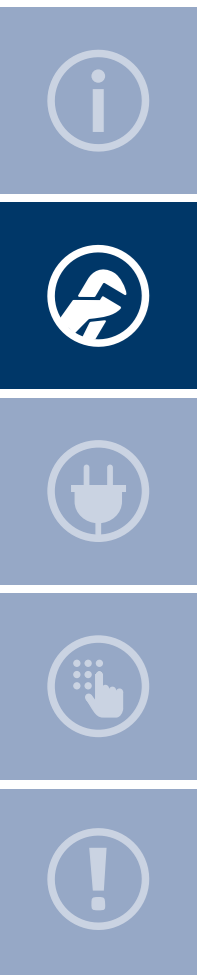


3

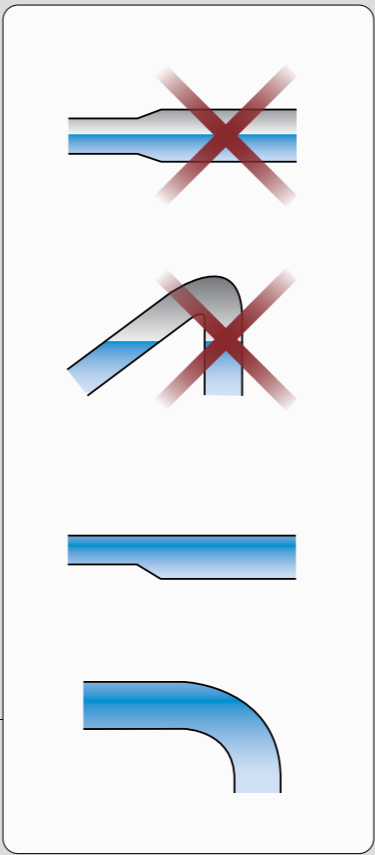
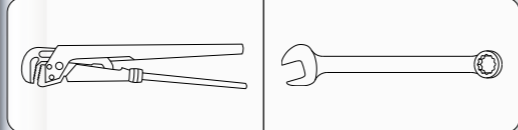
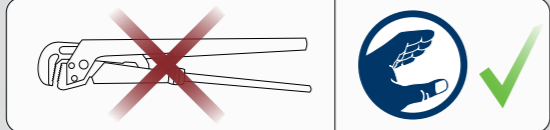


4





5



5A

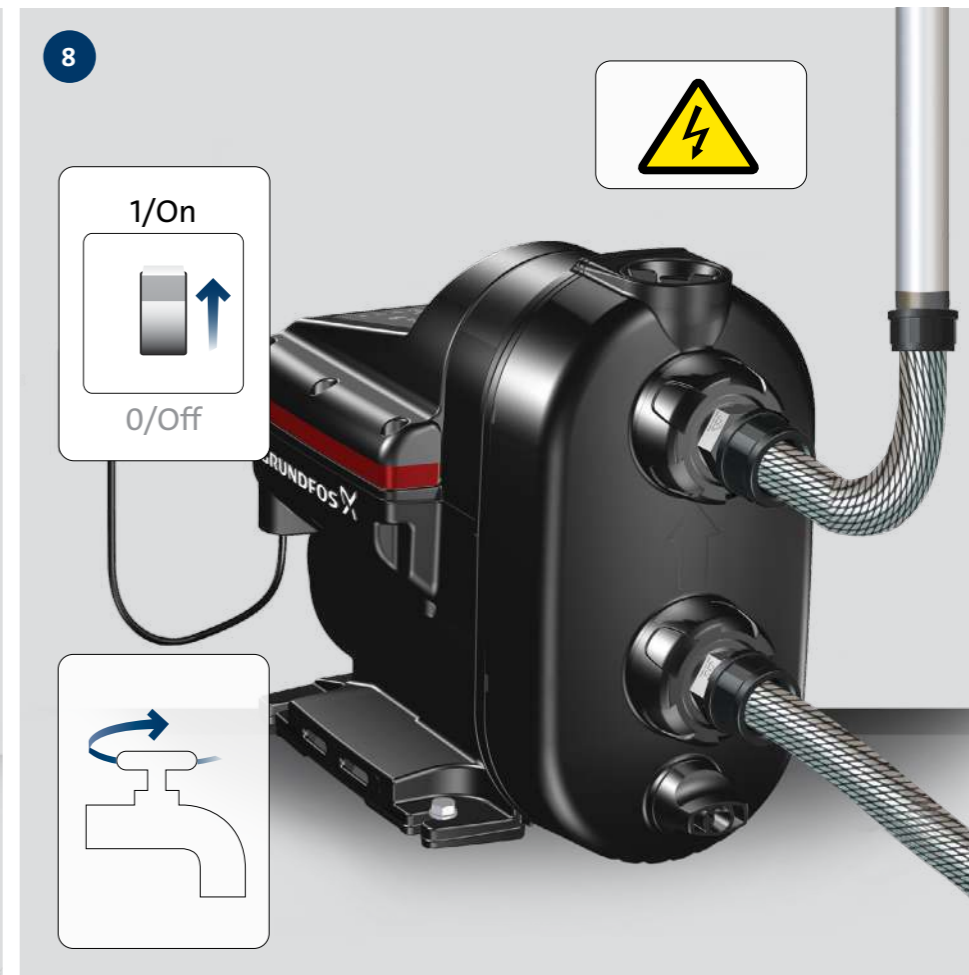
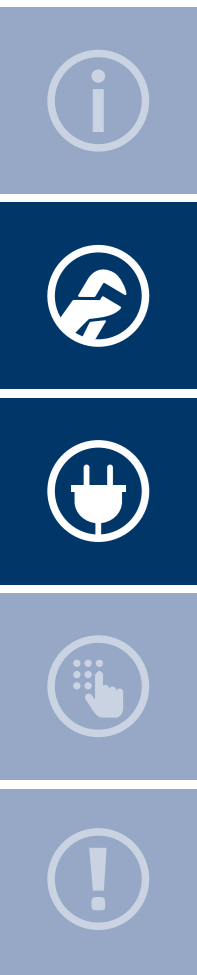


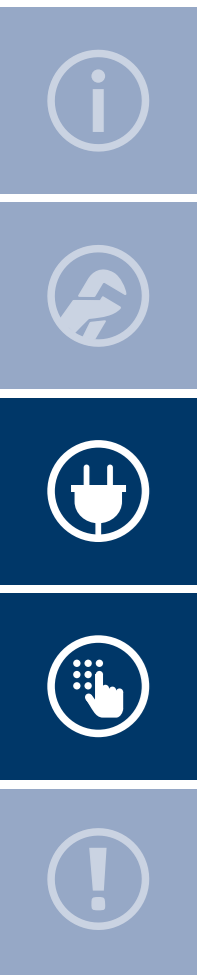
5B



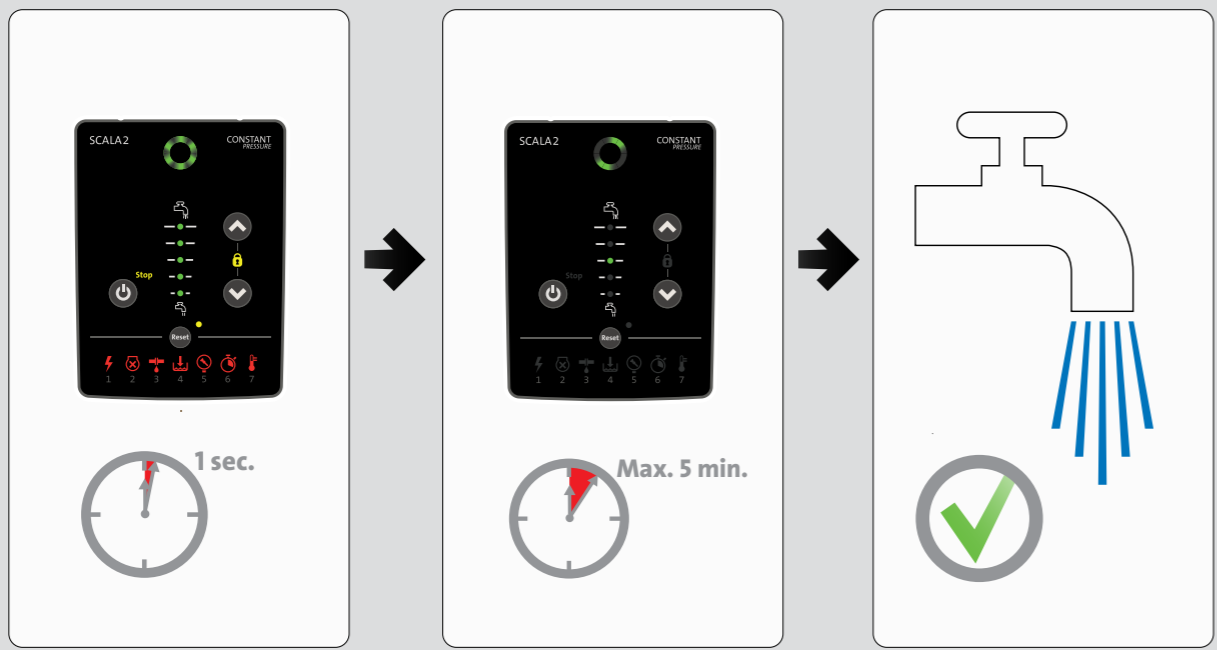
5C

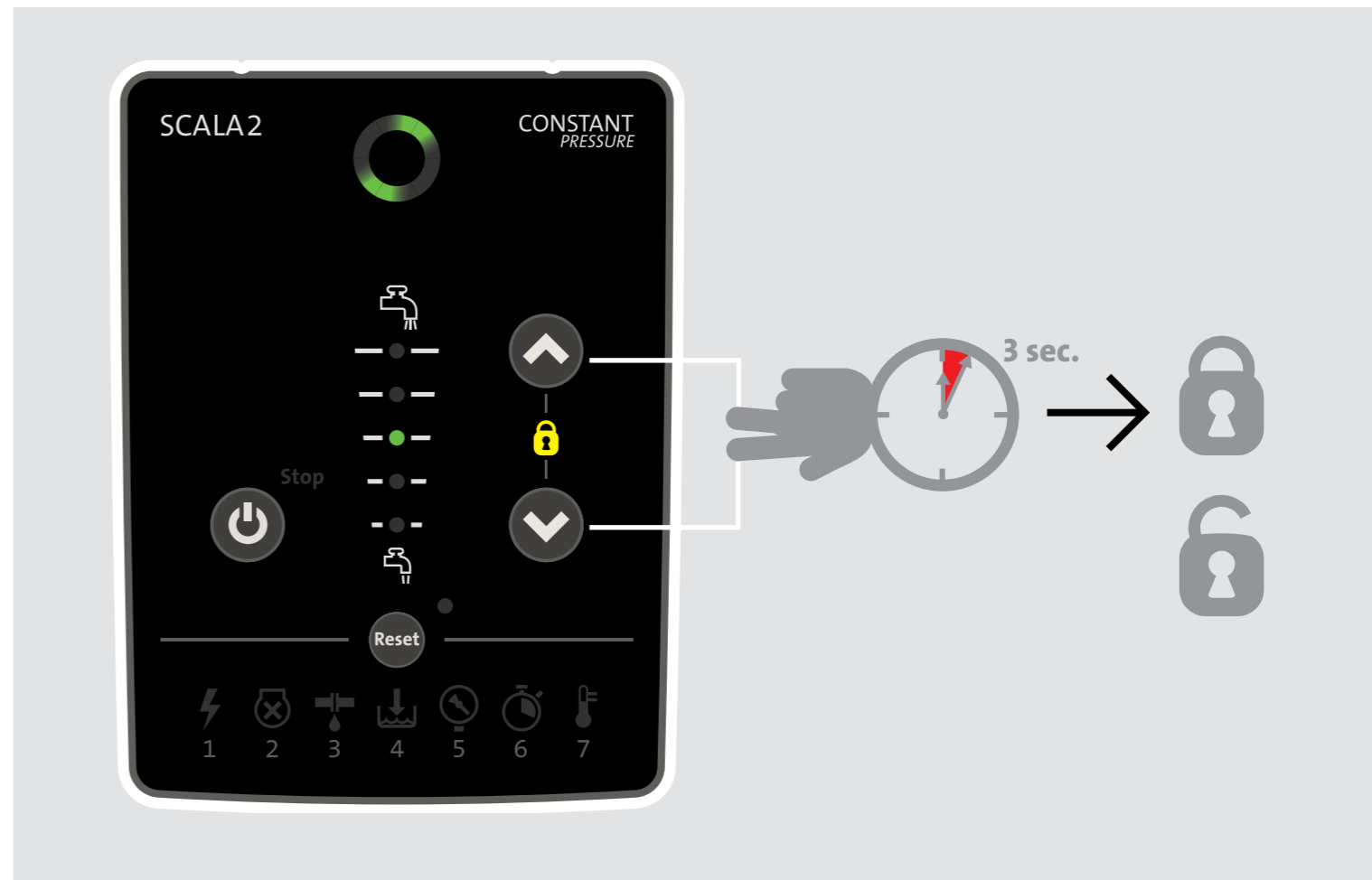
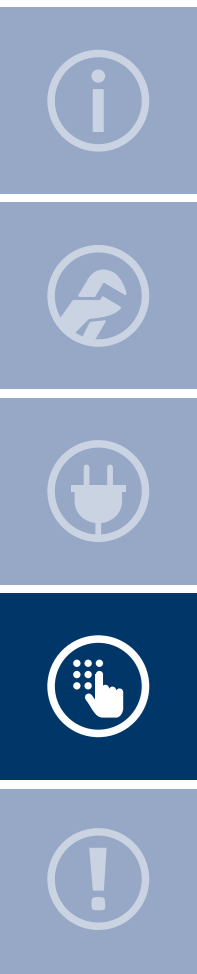


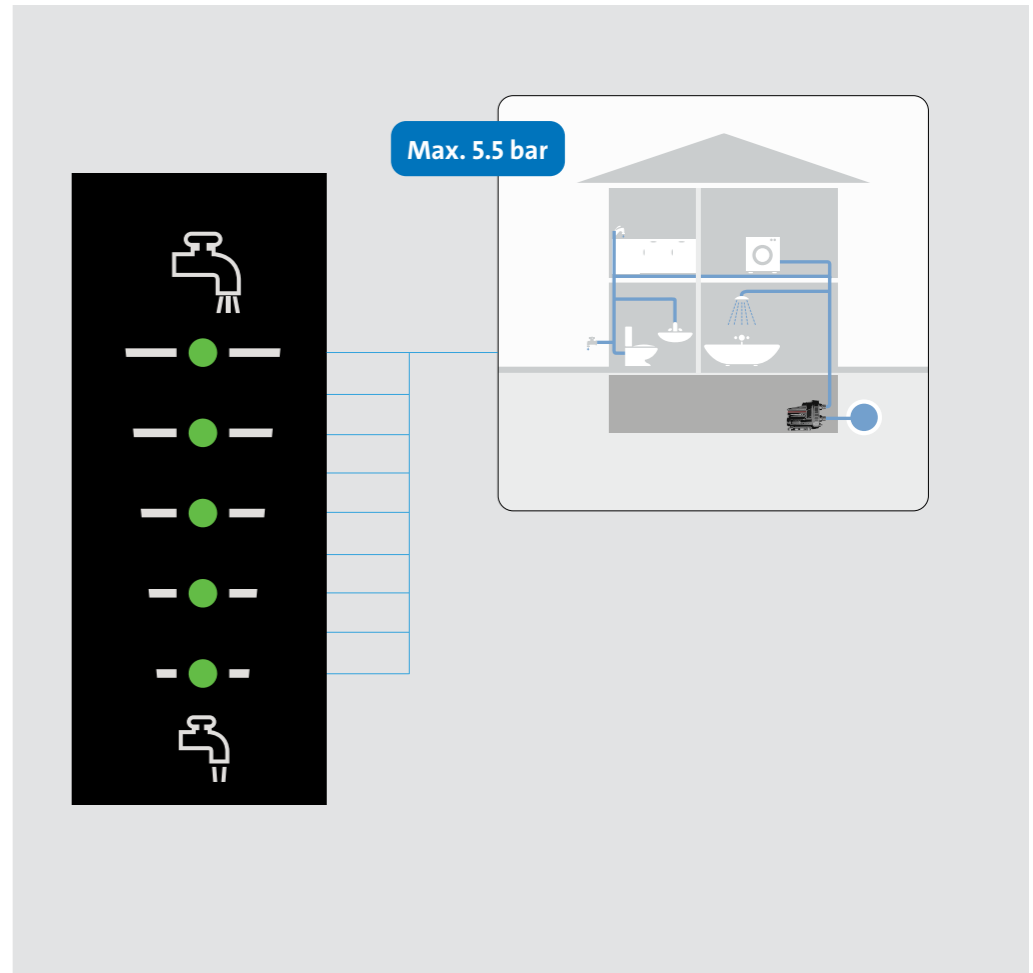
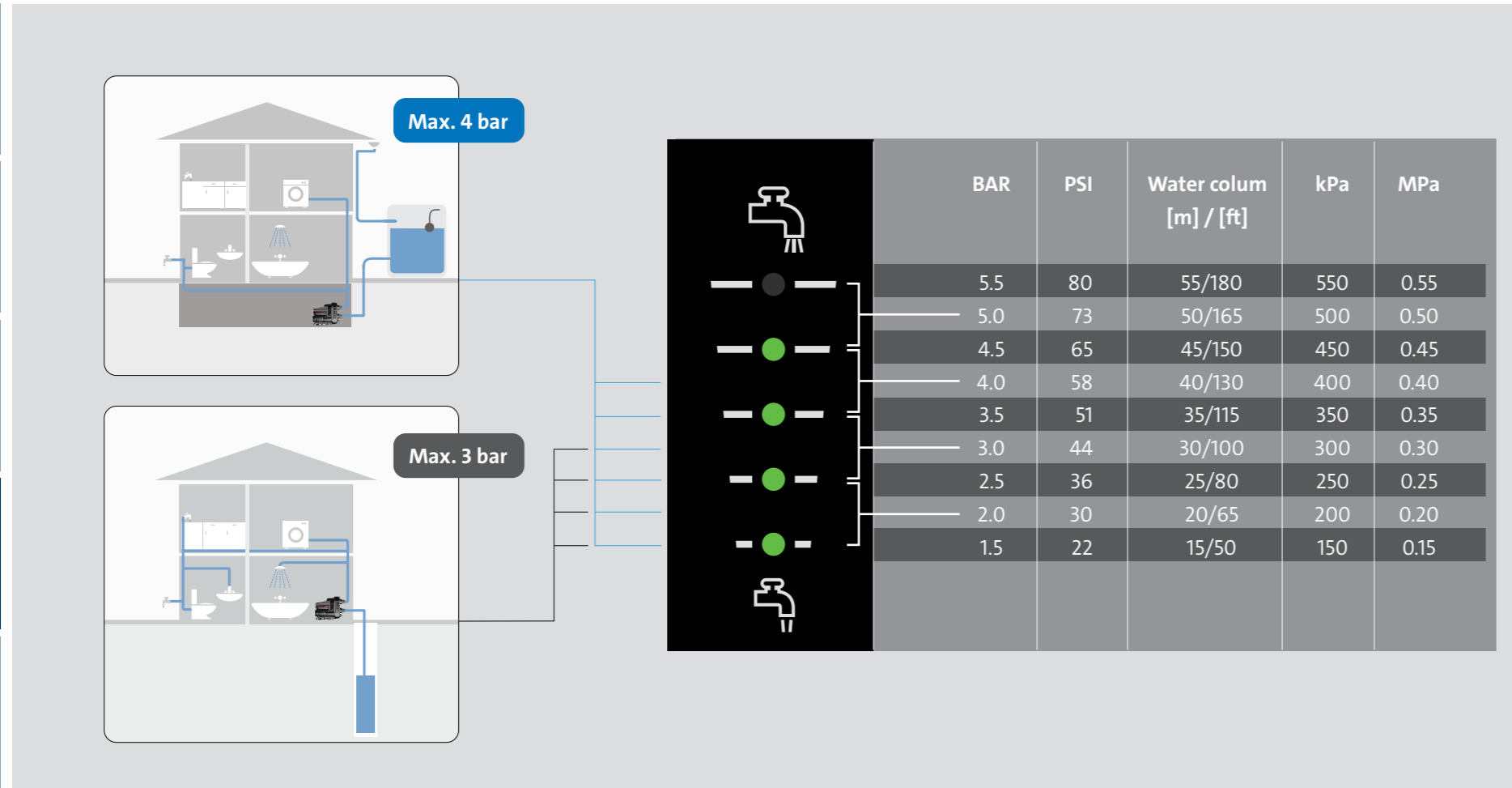
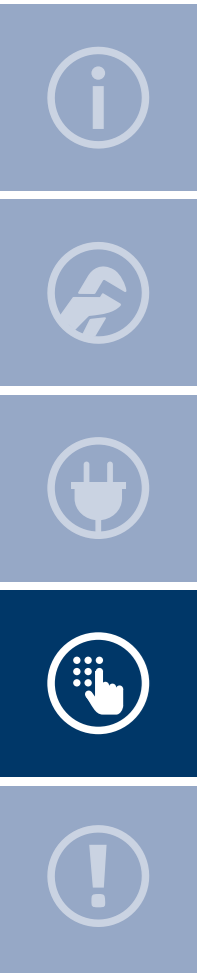


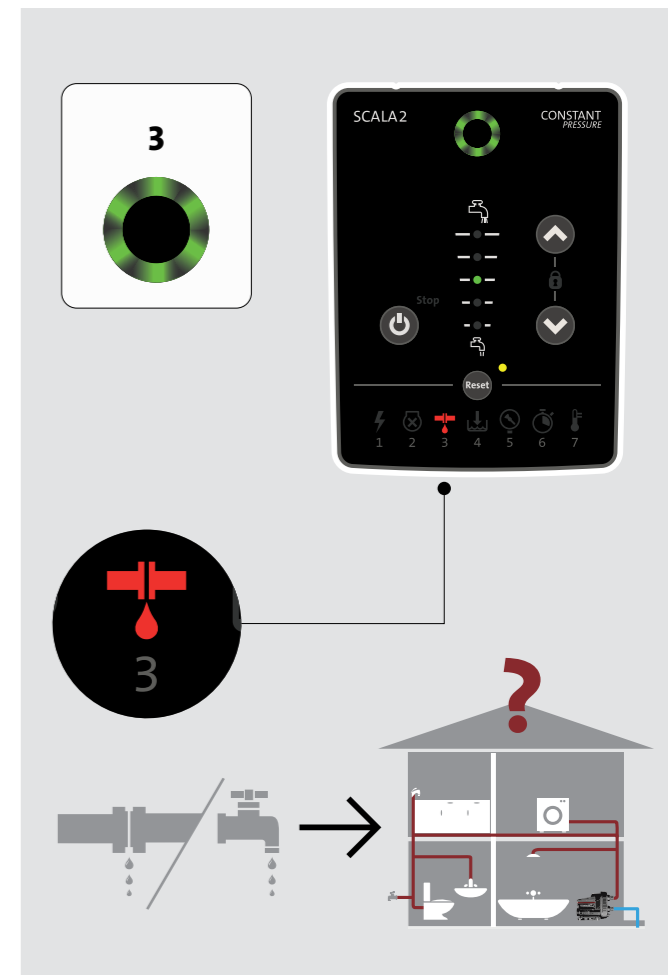
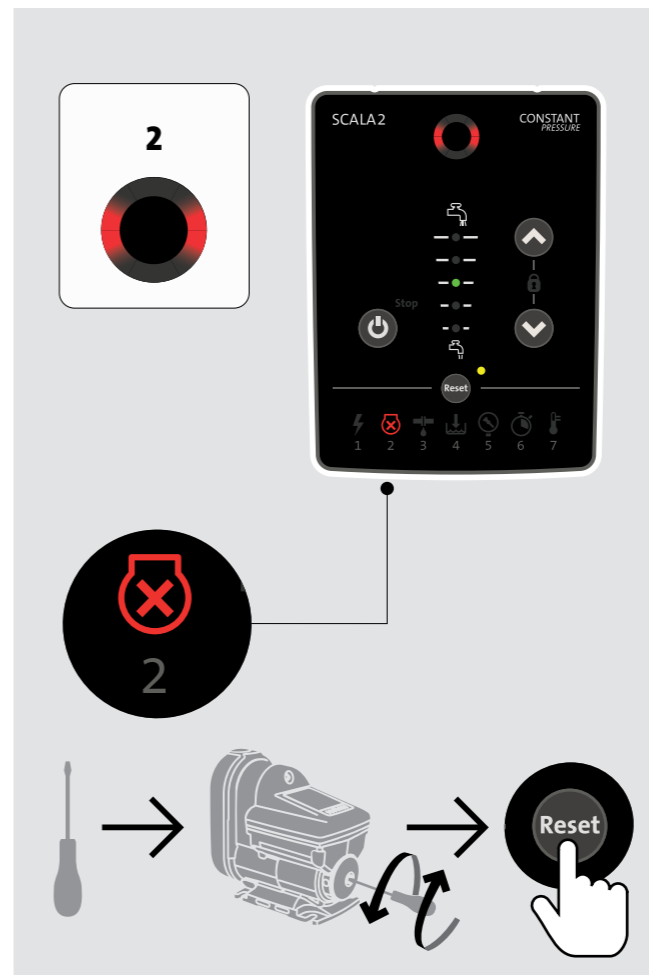
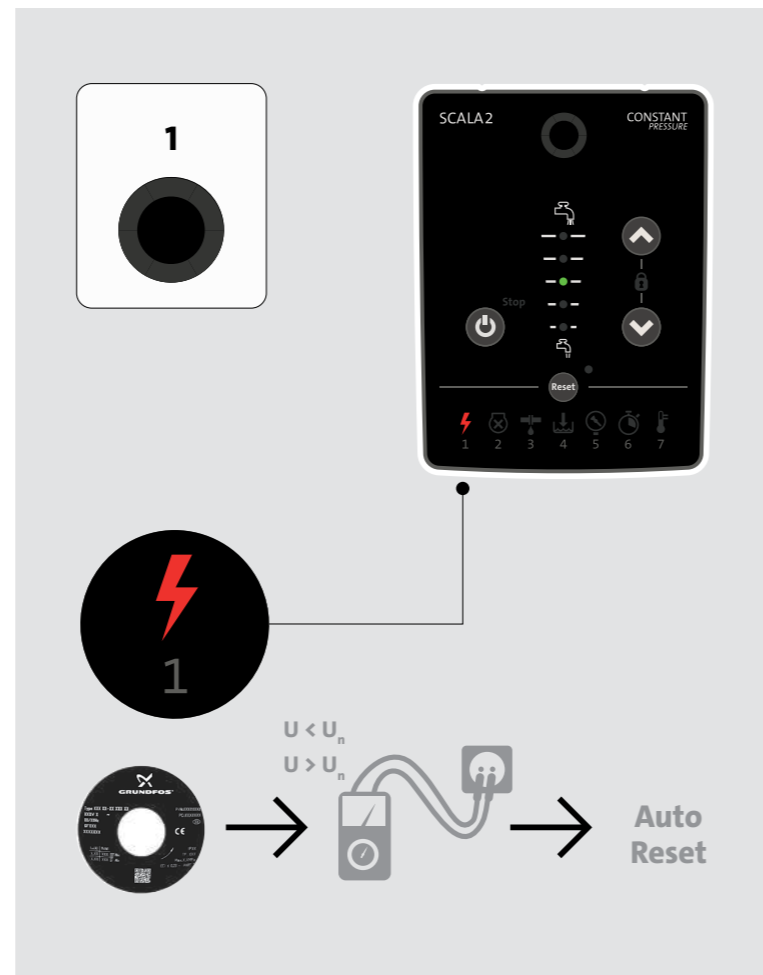
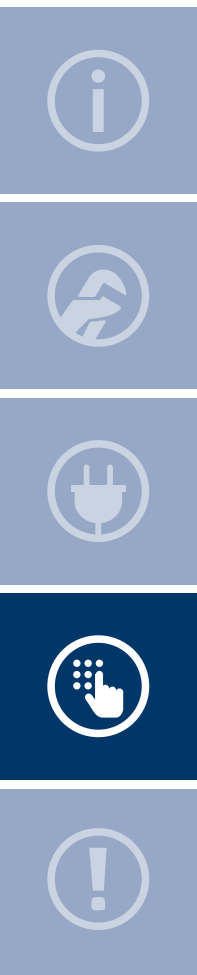


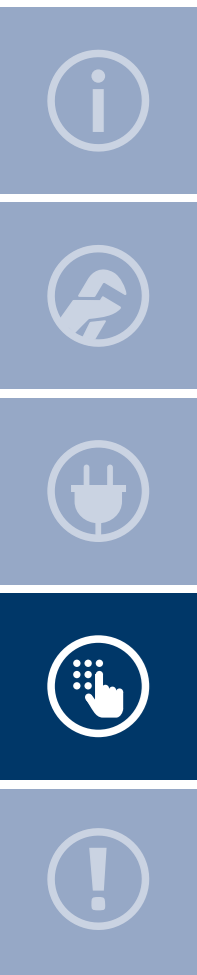
9











4

SCALA2 CONSTANT PRESSURE

4

Diagram illustrating step 4: A red arrow points down into a water tank, indicating a specific action related to the water level or flow.

5

SCALA2 CONSTANT PRESSURE

5

Diagram illustrating step 5: A red key icon is shown, indicating a key function or setting. Below it, a lock icon is shown being unlocked, followed by an equals sign and a factory icon, suggesting a factory reset or mode.

6

SCALA2 CONSTANT PRESSURE

6

30 min.

Diagram illustrating step 6: A red stopwatch icon is shown, indicating a 30-minute timer. Below it, a faucet icon is shown with water flowing, followed by an arrow pointing to a circular timer icon with a red half, labeled "30 min."

7

SCALA2 CONSTANT PRESSURE

7

Diagram illustrating step 7: A red thermometer icon is shown, indicating a temperature-related function. Below it, a pump unit is shown, suggesting a temperature control or monitoring function.



net.grundfos.com/qr/i/98880508

98501666	
ECM: 1361638	02.2023

GRUNDFOS Holding A/S

Poul Due Jensens Vej 7

DK-8850 Bjerringbro

Tel: +45 87 50 14 00

www.grundfos.com

GRUNDFOS 

The name Grundfos, the Grundfos logo are registered trademarks owned by Grundfos Holding A/S or Grundfos A/S, Denmark. All rights reserved worldwide.